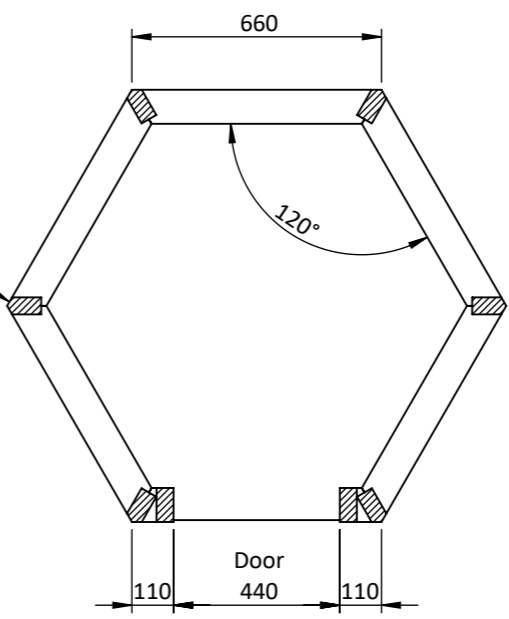
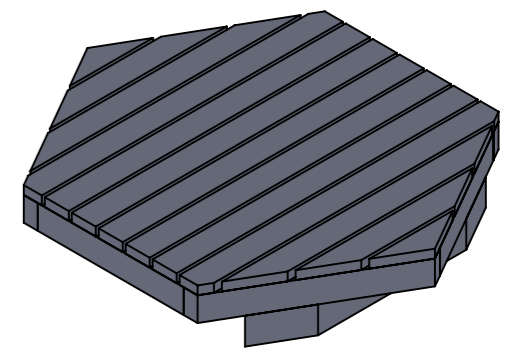
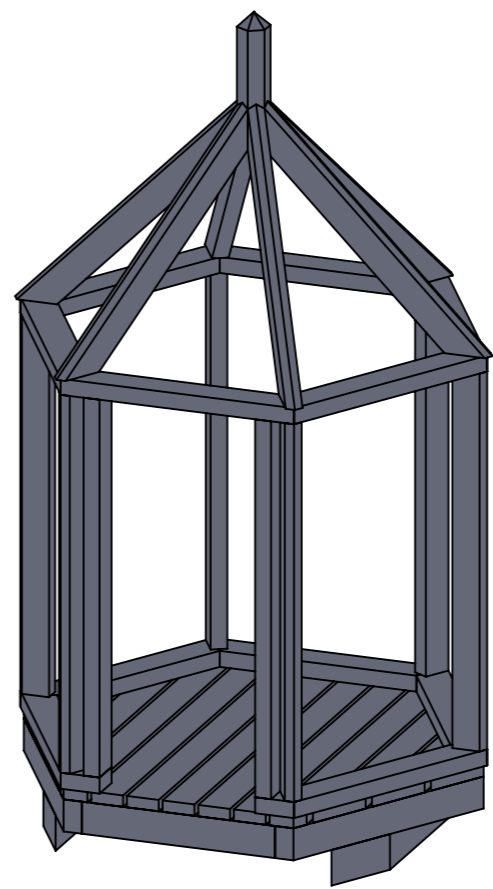
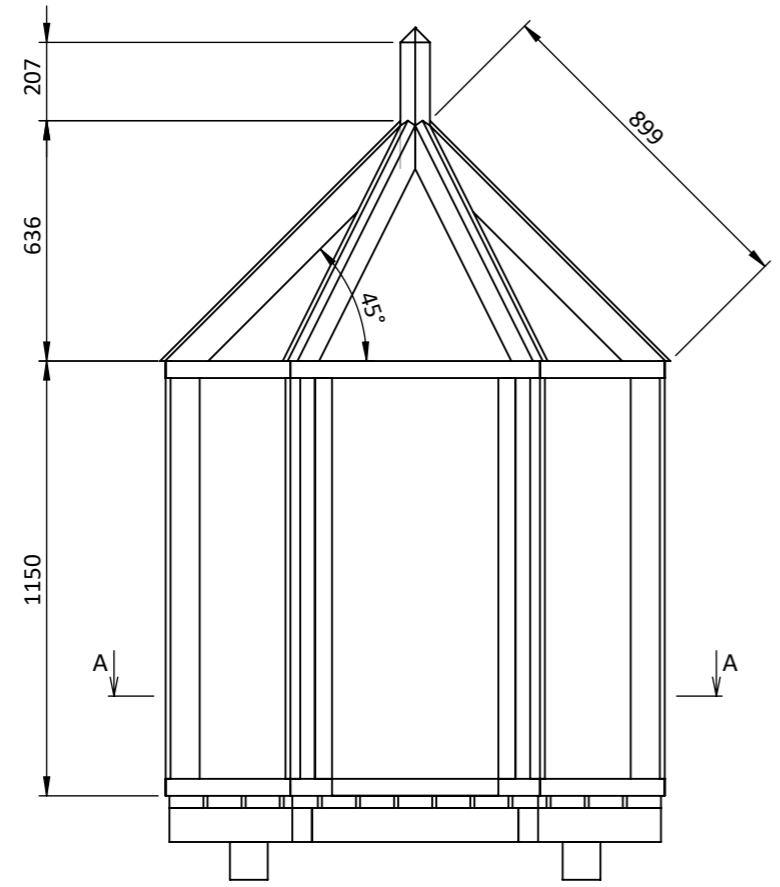


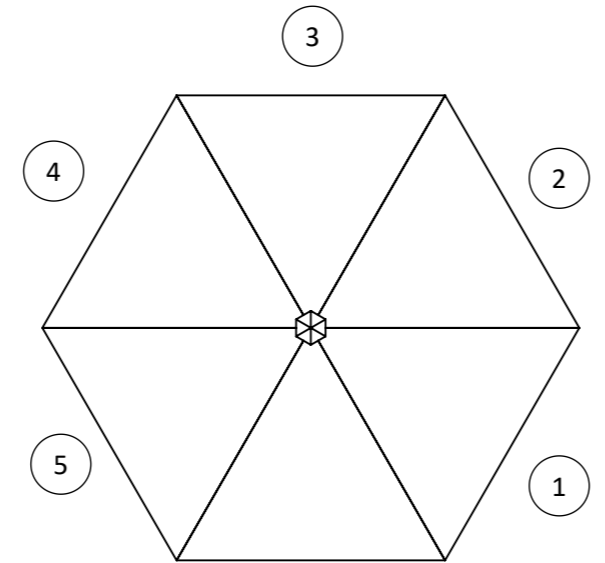
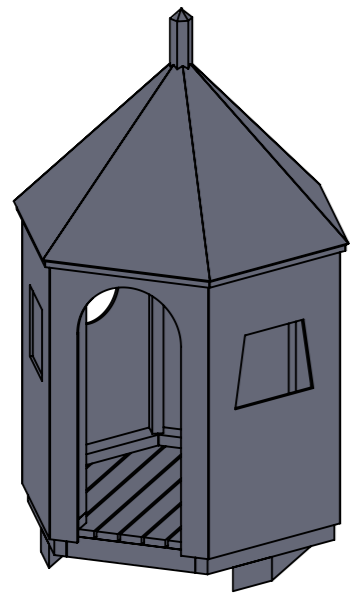
Stud and rafter faces beveled to suit cladding



Use 90x45 timber for wall and rafter framing.

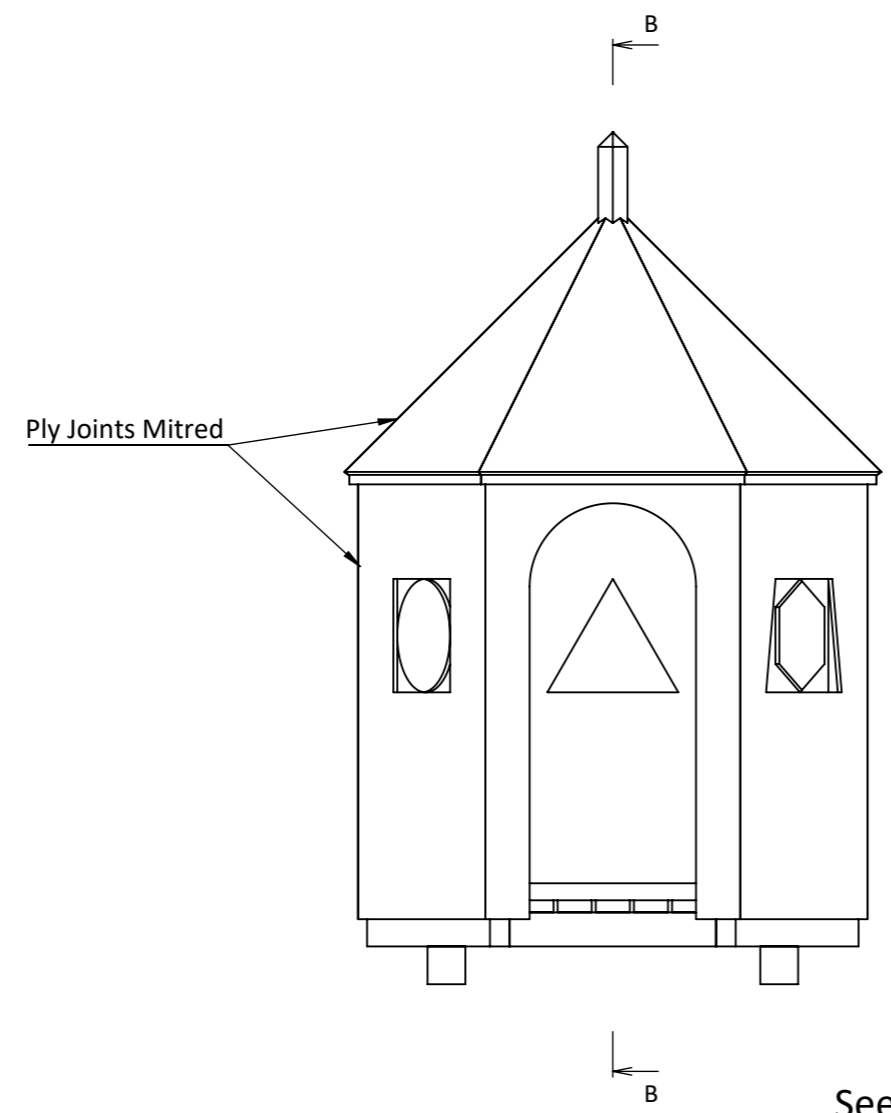


Pre made Base

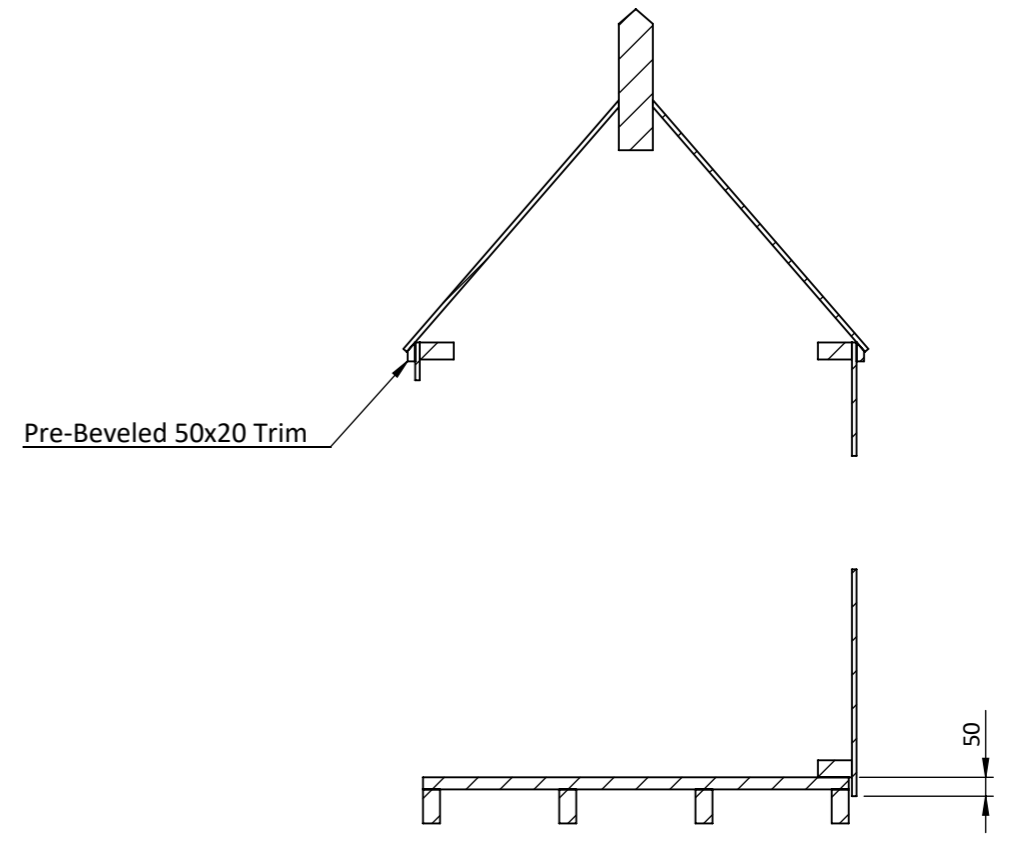


Door

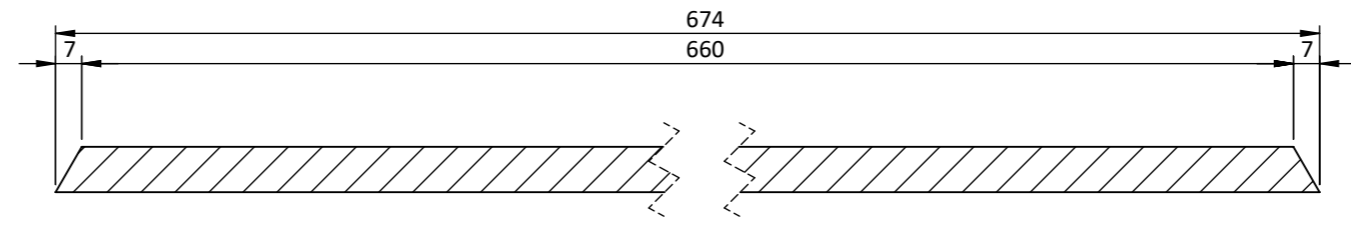
Labels indicate the wall panel profile.



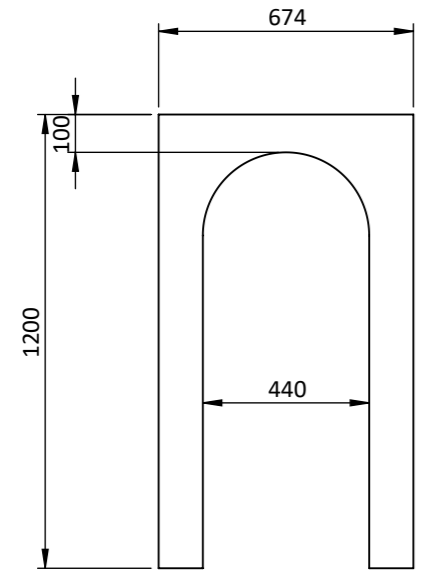
SECTION B-B



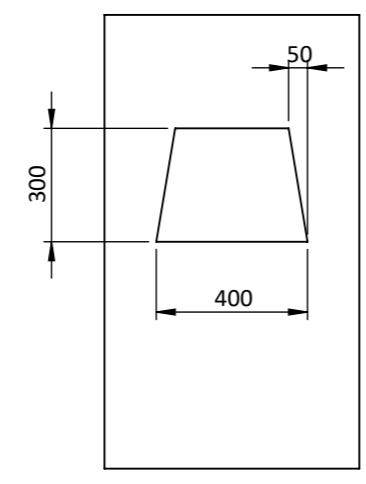
See attached sheet for cladding profiles.



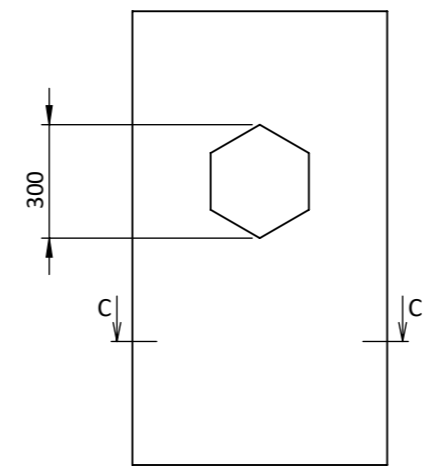
SECTION C-C
All wall panels sim.



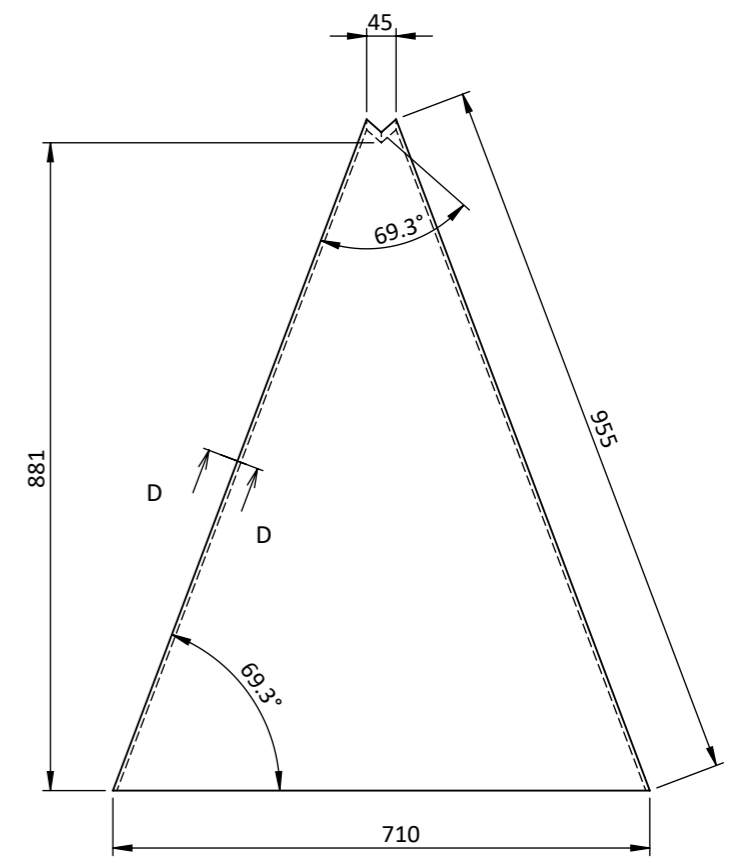
Door



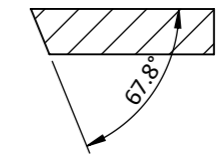
1



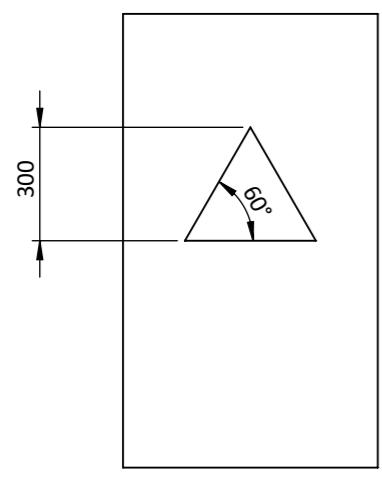
2



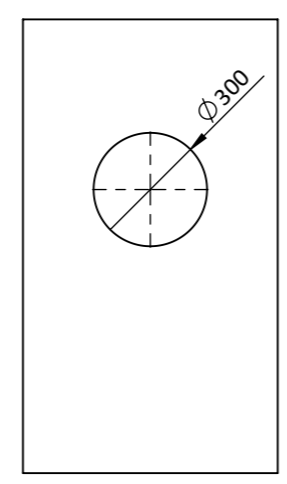
Roof (x6 required) - Guide Only.
Dimensions may vary depending on
timber sizes.



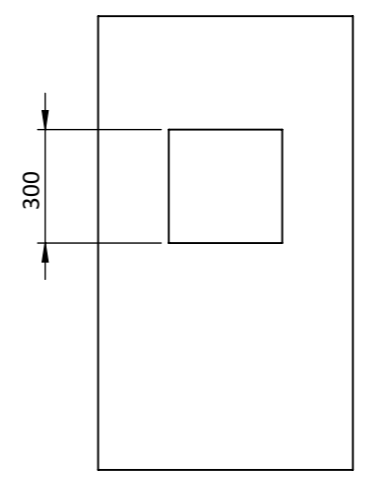
SECTION D-D



3



4



5