



APPRENTICE OF THE YEAR	
RESOURCE	REGIONAL PRACTICAL PROJECT
COMPETITION YEAR	2025
PROJECT	GARDEN BOX

APPRENTICE OF THE YEAR

RESOURCE	REGIONAL PRACTICAL PROJECT
COMPETITION YEAR	2025
PROJECT	GARDEN BOX

Apprentice Practical 2025 Tool & Equipment List

Please read the list carefully as you need to make sure you bring all of these with you to the practical challenge.



BATTERY TOOLS	Use this box to tick you have each item
Battery operated tools must be fully charged. Chargers must tested and tagged. We recommend bringing extra batteries, so you do not have to wait to charge your tools.	
• Battery Impact Driver	
• Battery Skill Saw and guide capable of cutting 45 mm at 45 degrees	
• Battery Drill	
TOOL BELT WITH THE FOLLOWING	
• Tool Belt	
• Pencil	
• Carpenter Knife (to sharpen pencil)	
• Hand Saw	
• Hammer	
• Ruler	
• Square	
• Tape measure	
• Counter sink bit	
• #2 square drive bit (star bits too)	
• level	
• Block-buff Plane	
• Drill Bit set 1mm – 12mm & 25mm Drill bits T20 & T25	
• Calculator or you can use your phone	
WORKSTATION	
• 2 x Saw Stool/Horses	
• 2 x Clamps	
HEALTH & SAFETY GEAR	
• Earmuffs	
• Safety glasses	
• Hi-Viz vest	
• Safety shoes	
• Safety gloves	

Only bring what is on the list, nothing else will be allowed.

APPRENTICE OF THE YEAR

RESOURCE	REGIONAL PRACTICAL PROJECT
COMPETITION YEAR	2025
PROJECT	GARDEN BOX



APPRENTICE PRACTICAL PROJECT 2025 INSTRUCTIONS

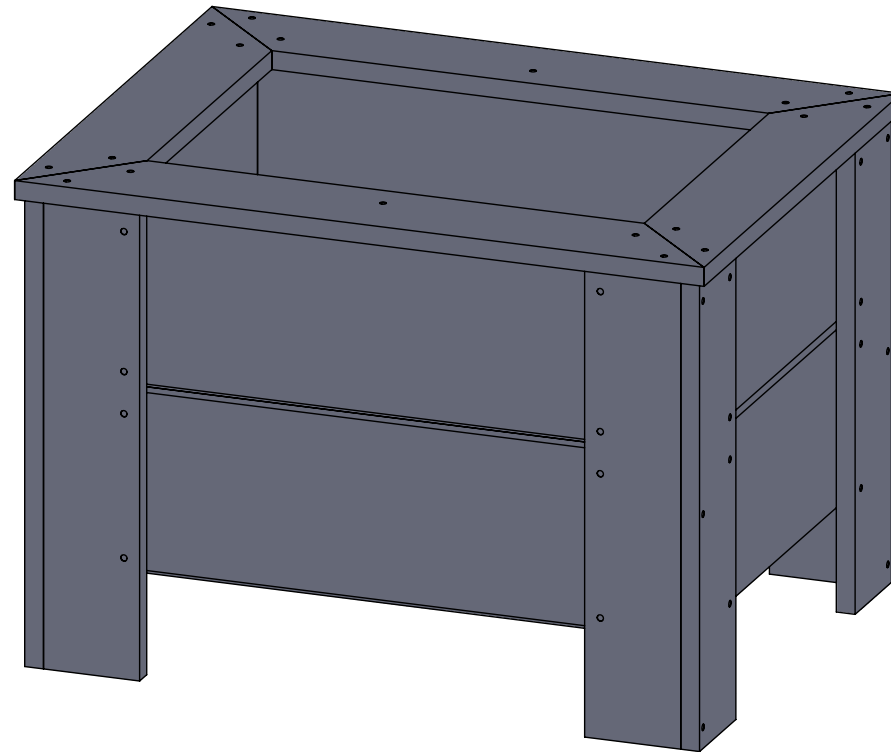
Please read these carefully and adhere to these instructions.

PROJECT INSTRUCTIONS

- All corners mitered other than boxed corners
- H&S is most important at all times. If not adhered to, you will be disqualified.
- Build to BEST trade practice.
- Check material sizes as may vary from plan dimensions.
- Screw fixed only
- Build to the drawings and written instructions supplied
- All screws to be countersunk below the surface
- There are NO spare pieces, check twice cut once
- Accuracy is important.
- Each support cleat fixed using 3x40mm screws, centered on cleat, screws 50mm in from end of cleats.
- Use 90mm screws on TGV mitered corners
- Box corners to be flush/square.
- Fit the base snug for length and even for width.
- Drainage is created with x1 25mm hole in center of each base boards.
- Top cap overhang TGV rails by 25mm
- Top rail screw positioned 20mm from mitered corners and centered on TGV and box corner members

APPRENTICE OF THE YEAR

RESOURCE	REGIONAL PRACTICAL PROJECT
COMPETITION YEAR	2025
PROJECT	GARDEN BOX

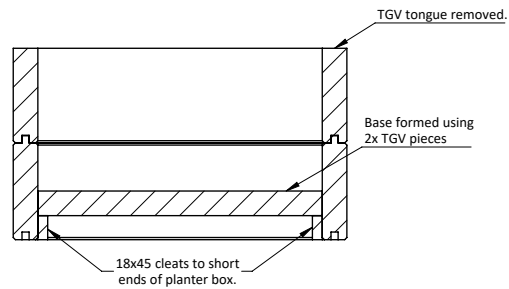
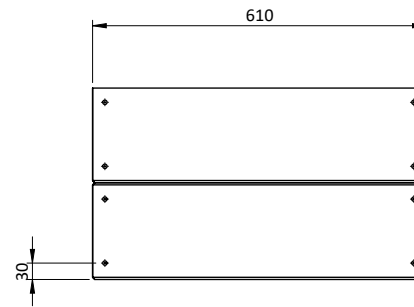
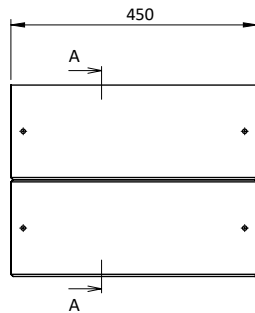


Planter Box

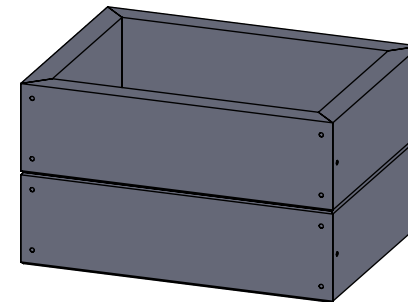
APPRENTICE OF THE YEAR 2025 - PRELIMINARIES

APPRENTICE OF THE YEAR

RESOURCE	REGIONAL PRACTICAL PROJECT
COMPETITION YEAR	2025
PROJECT	GARDEN BOX



SECTION A-A

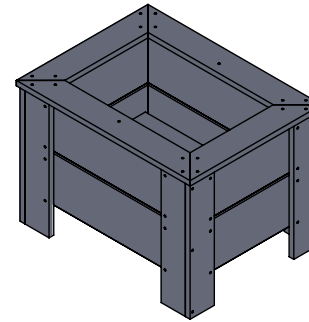
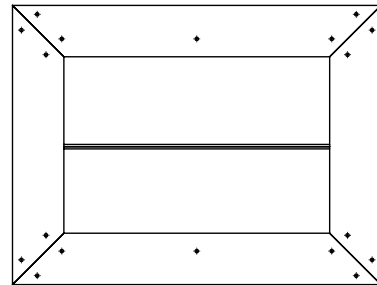


Planter Box - The Box

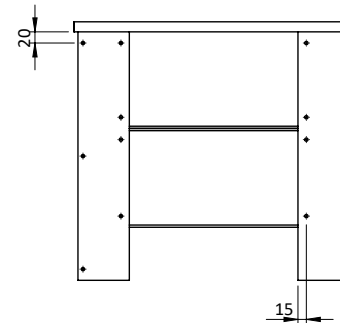
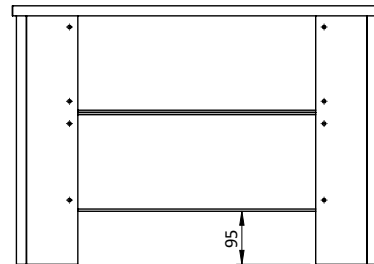
APPRENTICE OF THE YEAR 2025 - PRELIMINARIES

APPRENTICE OF THE YEAR

RESOURCE	REGIONAL PRACTICAL PROJECT
COMPETITION YEAR	2025
PROJECT	GARDEN BOX



Top and legs Ex 90x18 H3 timber,
fixed in place using 40mm screws.



Planter Box - Complete

APPRENTICE OF THE YEAR 2025 - PRELIMINARIES